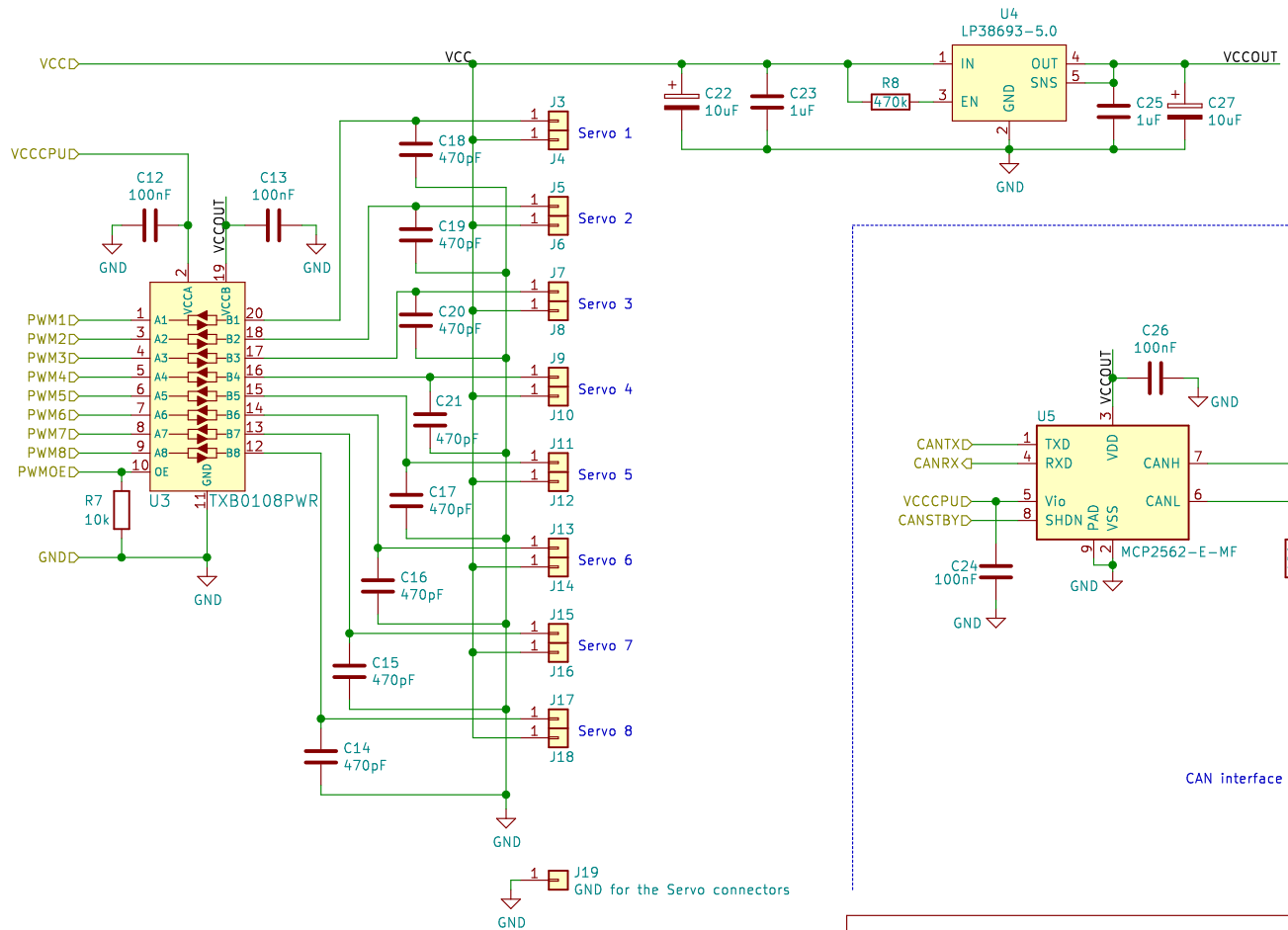


Designed by bodri@bodrico.com
bodrico.com




Sheet: /		File: kapukiTRX-hw-trx.sch	
Title: kapukiTRX – transmitter & 8 channel receiver			
Size: A4	Date: 2020-03-29	Rev: 4	
KiCad E.D.A. kicad (5.1.5)-3	Id: 1/4		



Servo connectors

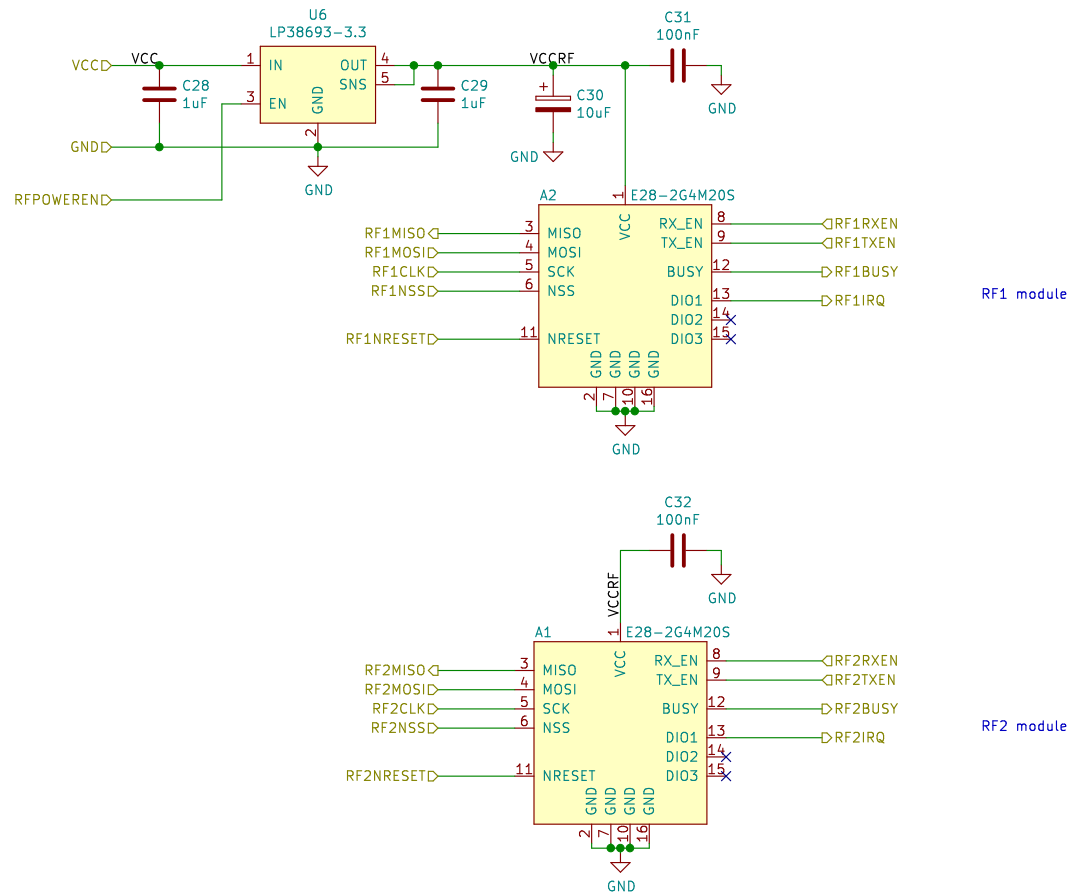
CAN interface



Designed by bodri@bodrico.com
bodrico.com
 Sheet: /Connectors/
 File: connectors.sch

Title: kapukiTRX – CAN, servo connectors

Size: A4	Date: 2020-03-29	Rev: 4
KiCad E.D.A. kicad (5.1.5)-3		Id: 2/4



Designed by bodri@bodrico.com
bodrico.com

Sheet: /RF modules/
 File: rfmodules.sch

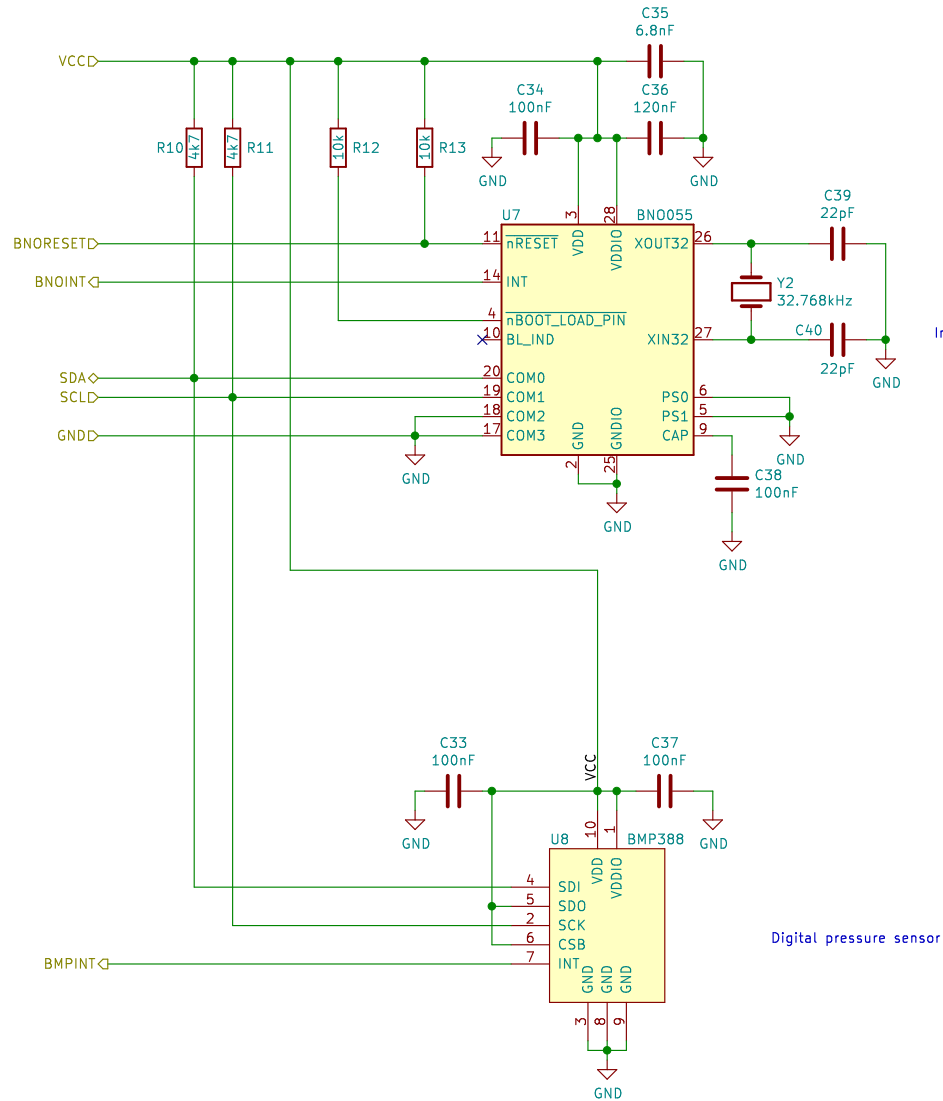
Title: kapukiTRX – RF modules

Size: A4 Date: 2020-03-29

KiCad E.D.A. kicad (5.1.5)-3

Rev: 4

Id: 3/4



Intelligent 9-axis absolute orientation sensor

Digital pressure sensor



Designed by bodri@bodrico.com
bodrico.com

Sheet: /Sensors/
 File: sensors.sch

Title: kapukiTRX – Sensors

Size: A4 Date: 2020-03-29
 KiCad E.D.A. kicad (5.1.5)-3

Rev: 4
 Id: 4/4