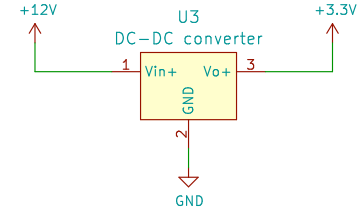
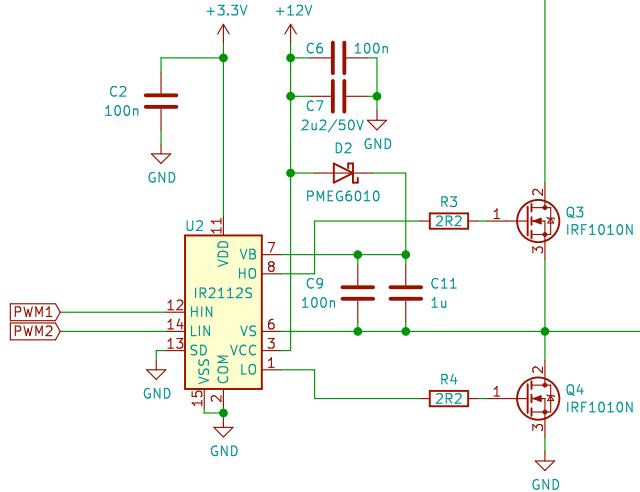
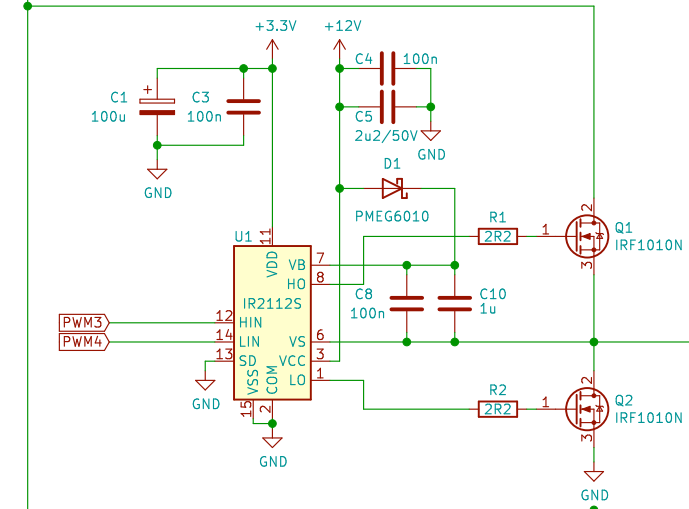
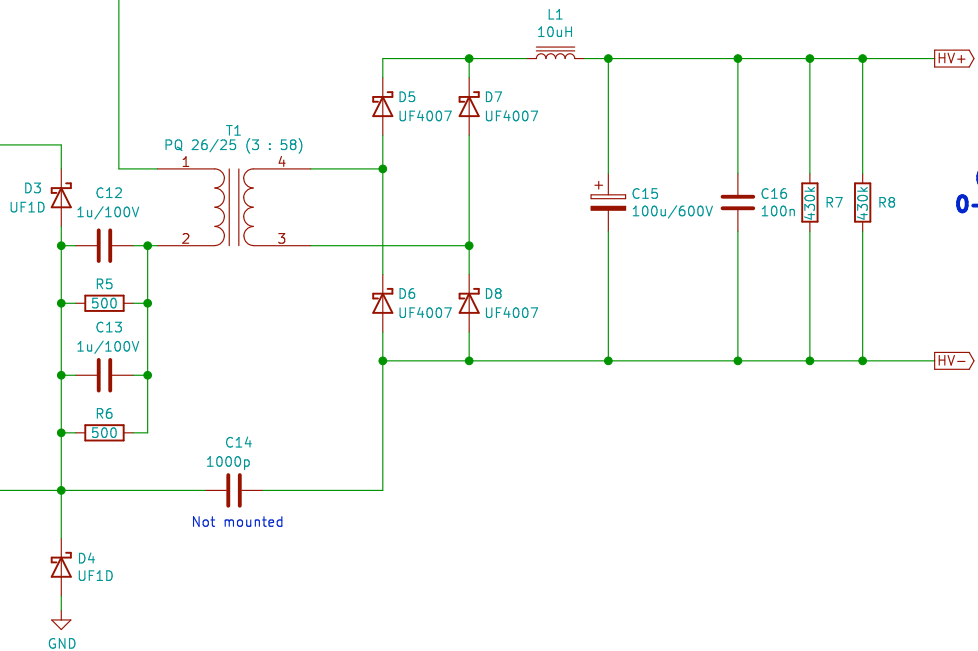


0-24 V variable power supply input



12V -> 3V3 DC-DC converter block



**0-400 V
0-100 mA
output**



Designed by bodri@bodrico.com

HVPSU

Sheet: /Sheet5FF033B1/

File: primary-side.sch

Title: High voltage power supply

Size: A4

Date: 2021-01-19

Rev: Rev. A

KiCad E.D.A. kicad (5.1.4-0-10_14)

Id: 2/3