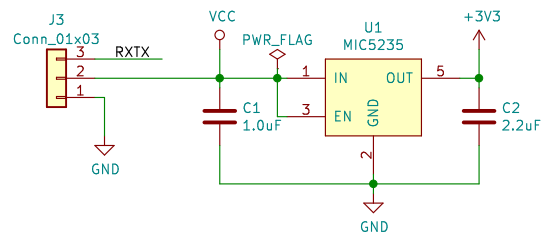
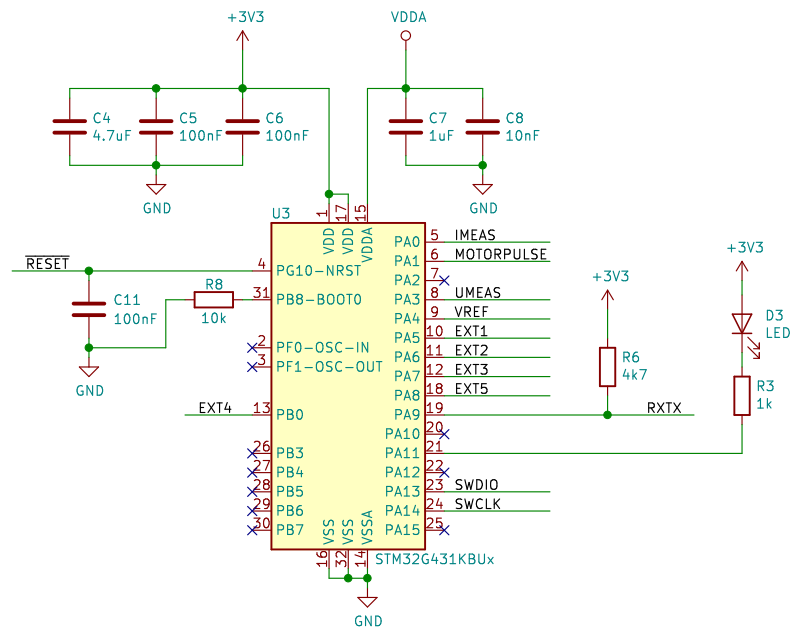
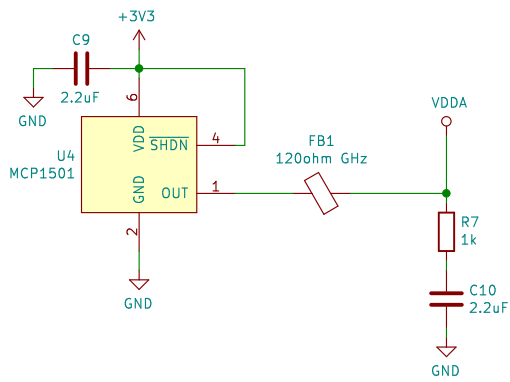


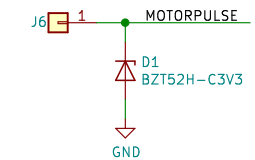
Battery Current and Voltage measurement



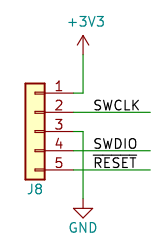
Power supply & Jeti EX bus interface



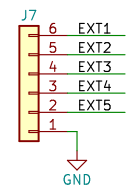
Voltage reference and power supply for CPU Analog section




BLDC motor RPM sensor



SWD programming interface



Extension port



bodri@bodrico.com
bodrico.com
 Sheet: /
 File: kapuki-cursen-hw.sch

Title: 60A RC precision current sensor

Size: A4	Date: 2020-02-23	Rev: 3
KiCad E.D.A. kicad (5.1.4)-1		Id: 1/1